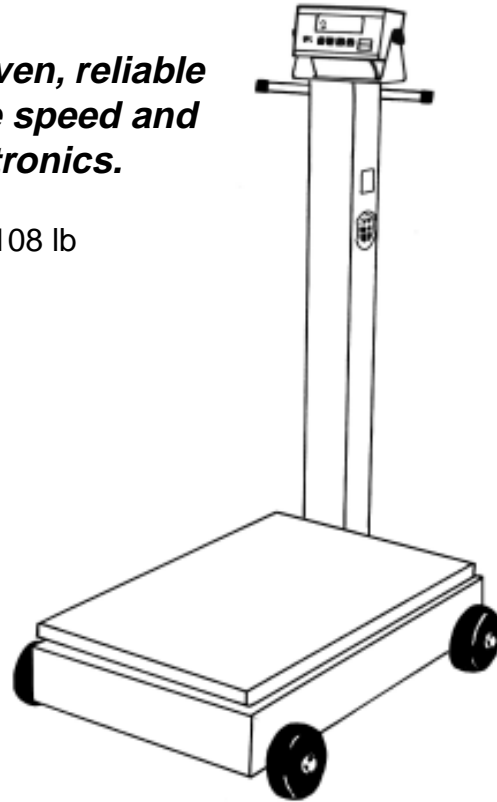
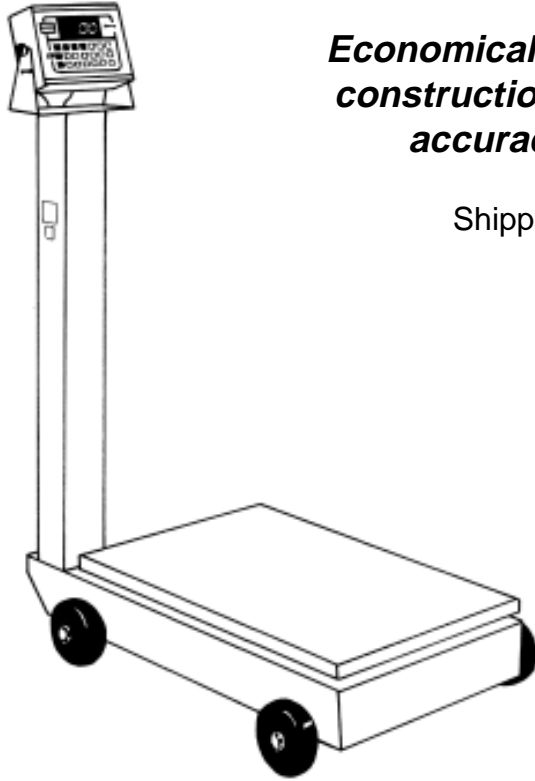


DIGITAL PORTABLE PLATFORM SCALES

Economical, time proven, reliable construction with the speed and accuracy of electronics.

Shipping Weight: 108 lb



Capacity: 5852F - 500 lb x .2 lb/220 kg x .1 kg
8852F - 1000 lb x .5 lb/440 kg x .2 kg
Platform Size: 19" W x 28" D
Overall Size: 24" W x 35" D x 49" H
Power: 115 VAC 60 Hz
Auto Zero: .5 or 1 to 9 graduations
Display: 5-digit, 7-segment, 0.6" high red LED
Temperature: -10° to + 40°C/14° to 104°F
Annunciators: Over, under, accept, kg, lb, zero, gross, push button or keypad tare, net, PWC1, PWC2
Sample Rate: 1 to 12 samples per second, selectable
Output: RS-232
Options: NEMA 4X enclosure (9.8" W x 7.3" H x 3.2" D)
External relay box for preset weight comparators or checkweigher

Capacity: 5852F-758 - 500 lb x .2 lb/220 kg x .1 kg
8852F-758 - 1000 lb x .5 lb/440 kg x .2 kg
Platform Size: 19" W x 28" D
Overall Size: 24" W x 35" D x 48" H
Controls: On, off, zero, units, print
Power: 6 "C" size Alkaline batteries (not included)
Auto Shut Off: Power Save Mode selectable from 1 to 9 minutes
Zero: Established during setup and maintained automatically to $\pm 1/4$ graduation
Auto Zero: .5, 1 or 3 graduations
Display: 4-digit, 7-segment, 0.7" high LCD
Temperature: -10° to + 40°C/14° to 104°F
Annunciators: Center of zero, motion, low battery
Sample Rate: 1 to 12 samples per second, selectable
Output: RS-232
Options: 115 VAC 50/60 Hz AC power pack
230 VAC 50/60 Hz AC power pack

