

Large 320 x 240 resolution, backlit, blue LCD graphics display and 14 soft keys

# Models 777 and 788 Programmable Weight Indicators

Four line, backlit, liquid crystal display and four soft keys



- Batching
- Truck Storage
- Food Processing
- Digital Fill Control
- Multiple Tank Weighing
- Multi-platform Vehicle Applications
- Multiple Scale Operations • and Many More Possibilities.



## Versatility

From straightforward, simple weighing to complex process automation, the 777 and 788 programmable indicators give you precise control over your weighing needs. With a unique, modular design and tools that simplify programming, the 777 and 788 can fulfill exactly what your application requires. Both come in an optional **NEMA-4 Stainless Steel Enclosure** for extra protection in wet or harsh environments.

MENÚ

SPEISEN-  
KARTE

МЕНЮ

## Multiple Languages

The 788 has different **language character fonts** which display virtually any language, including Russian, German, Spanish, and Greek.

## They're so versatile...

12:00 PM	31-OCT-2003
SCALE #1 AXLE 1 11500 lb GROSS	<b>EXIT SCALE</b>
SCALE #2 AXLE 2 32420 lb GROSS	
SCALE #3 AXLE 3 31560 lb GROSS	
75480 lb TOTAL GROSS	
Truck ID:CM788	<b>PRINT</b>

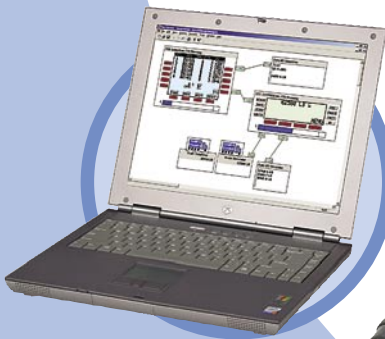
12:00 PM	31-OCT-2003		
TANK 1 913 lb	TANK 2 1203 lb	TANK 3 975 lb	TANK 4 788 lb
SCALE 2	SCALE 1 FILL CONTROL		SCALE 3
SCALE 1	SCALE 4		SCALE 4
<b>PRINT</b>			<b>MENU</b>

## ...we can't wait to see how you'll use them next!



## Soft Keys

Soft key technology is truly **user friendly** and completely self-prompting. Simply touch the key associated with the displayed legend. Even the least experienced operator can work with it in no time at all.



## SmartWeigh

Cardinal's Smartweigh **development software** provides a flexible means of developing application software for the 777 and 788.



Slots for optional I/O and special function cards

Standard scale input card

RS232/RS485 bi-directional serial port

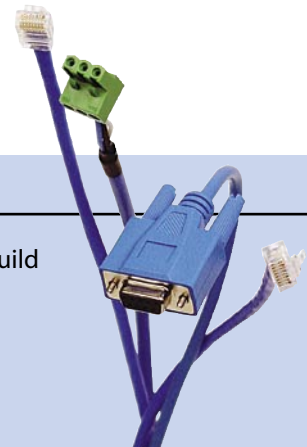
RS232 bi-directional serial port

Keyboard input for optional 101 key PC compatible keyboard

## Connectivity

Whether your needs are process control, data handling or simply sending data to a printer the 700 series is your solution. Utilizing Cardinal's wide range of interface cards, Scale Input, Analog Output, Serial I/O (RS-32/485), Parallel I/O (LPT), Digital I/O (relays), Allen-Bradley RIO, Counters, Ethernet and most

Fieldbus type interfaces, we can build a system designed just for you.



# Programmable Weight Indicators



## Batching

Utilizing the on-screen graphics and soft key technology, the 788 is an excellent solution to batching and process control applications. Whether you require multiple ingredients and formulas, multiple scale inputs, or continuous product filling, the 788 is a process controller you can grow with. Cardinal can create

special reports and PC connectivity to provide you with a complete weighing solution.

*Small font sizes combined with the 788's large 320 x 240 resolution display allow you to view lengthy summary reports directly onscreen.*

SUMMARY REPORT			
4:00 PM		10-01-2003	
FORMULA ID	ACCUMULATED WEIGHT	BATCHES	
FORM1	125	LB	56
FORM10	19330	LB	81
FORM11	38591	LB	46
FORM12	82284	LB	96
FORM13	82284	LB	75
FORM14	17410	LB	86
FORM15	71658	LB	51
FORM16	9140	LB	36
FORM17	14731	LB	16
FORM18	11986	LB	46
FORM19	891	LB	9
FORM20	53156	LB	57
FORM3	68177	LB	66
FORM4	45678	LB	35
FORM5	57003	LB	91
FORM6	51988	LB	38
FORM7	768719	LB	1014
FORM8			
FORM9			
TOTAL			

## ID Applications



The 777/788 ID number storage software tracks products coming in and out of your facility and provides valuable weight data information. The ID information can be viewed on-screen or exported

ID REPORT				
2:36 PM		10-14-2003		
ID	TYPE	STORED WEIGHT	ACCUMULATED NET WT	CNT
1234	P	68360	165440 LB	5

to other peripheral devices, such as a printer or PC network environment. Product and ID information can be easily entered or edited by the operator.

## Material Handling, Food Processing, & Packaging



Ideal for material handling and inventory management applications, the 700 series can provide product identification codes and associated data to track weight and product data. With **custom labeling abilities**, the 777 and 788 are excellent weight-based

controllers for food processing applications. Price Look-Up software is available for the retail packaging of food products. The 700 Series can also send and receive product data from a PC to streamline your material processing operations. You can also connect multiple scales to one weight indicator for the monitoring of weight in production line applications, with custom prompts to guide the operator through the process.

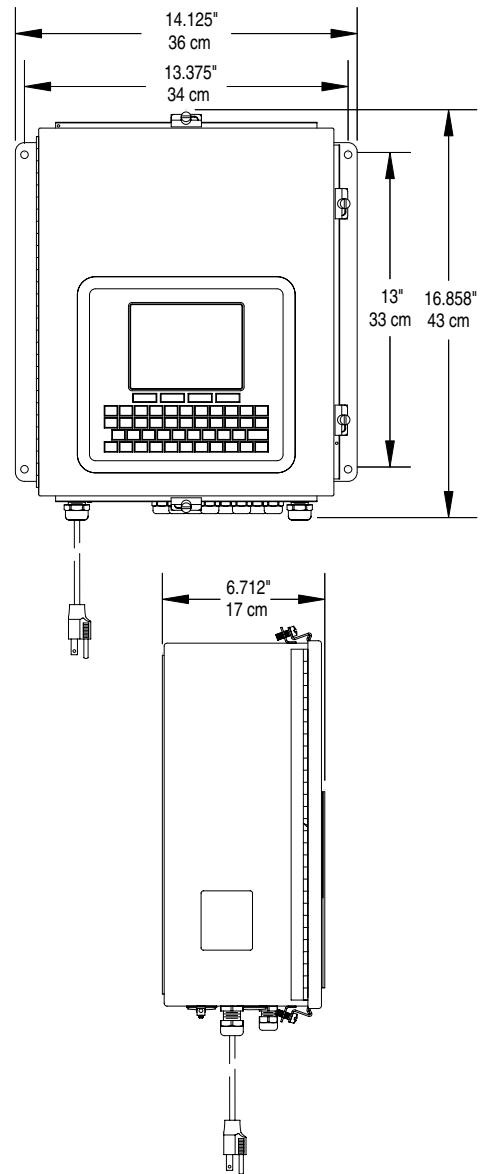
## Unattended Weighing

When you require an effective solution for vehicle operators to enter their identification at the scale, the 777 or 788 is the solution. The unattended system includes an outdoor enclosure, self-prompting truck ID software, and a connection to your PC/network environment. Additional options to insure accurate data is entered can include a bar code or proximity badge reader. Built in printers can be provided for weight data tickets to be issued to the driver at the scale.

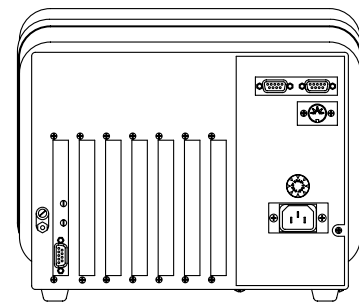
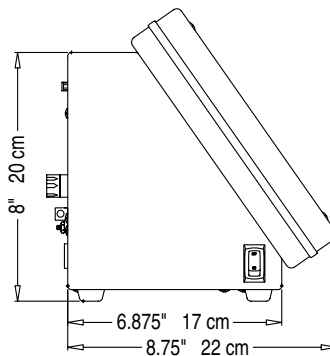
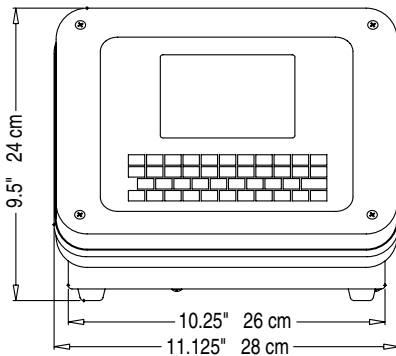


# Model 777 and 788 Specifications

	777	788
<b>Display</b>	4-line, 80-character, dot matrix, backlit liquid crystal display	Large (4.6" W x 3.4" H / 117 mm W x 86 mm H - 320 x 240 pixel) backlit LCD graphic display
<b>Enclosure</b>	Epoxy painted mild steel with stainless steel front bezel	
<b>Keyboard</b>	43 key alphanumeric keyboard 101 PC keyboard interface	
	4 programmable soft keys 8 standard function keys	14 programmable soft keys
<b>Internal Resolution</b>	400,000 divisions	
<b>Display Resolution</b>	10,000 divisions (commercial) 100,000 divisions maximum (non-commercial)	
<b>Units Conversion</b>	Pounds and kilograms standard - programmable to any	
<b>Character Height</b>	.375" / 10 mm	Selectable character sizes from .25" to 1.2" (6 mm to 30 mm)
<b>Division Value</b>	1 to 9 x 10, 1, 0.1, 0.01, 0.001, 0.0001	
<b>Load Cells</b>	Up to 14 - 350 Ohm with sense	
<b>Sample Rate</b>	1 to 60 samples per second, selectable	
<b>Auto Zero Range</b>	0, 0.5, or 1 through 9 divisions	
<b>Excitation</b>	10.75 VDC	
<b>Sensitivity</b>	.5 $\mu$ V/d (1.5 $\mu$ V/d OIML R76)	
<b>Power</b>	90-260 VAC 50/60 Hz	
<b>Temperature Range</b>	+14° to +104° F / -10° to +40° C	
<b>Weight</b>	10.5 lb / 4.8 kg	
<b>I/O</b>	1 RS232 bidirectional and 1 RS232 / RS485 combination bidirectional	



Cardinal Scale reserves the right to improve, enhance or modify features and specifications without prior notice.



The model 777 and 788 indicators meet all requirements of Handbook 44, issued by the National Institute of Standards and Technology and have been issued the Certificate of Conformance number 97-077.



For models 777 and 788  
R76/1992-DK-02.03



MEASUREMENT CANADA  
For model 777  
Notice of Approval  
AM-5204



**Cardinal**  
Cardinal Scale Manufacturing Co.  
203 E. Daugberty, Webb City, MO 64870 USA  
Ph: 417-673-4631 or 800-441-4237 • Fax: 417-673-5001  
[www.cardinalscale.com](http://www.cardinalscale.com)

**Sold By:**