

THE OHAUS MB SERIES

moisture analyzers



From basic to advanced, the Ohaus MB Series of moisture analyzers offer superior performance and great value.

Standard features include:

- Fast halogen heating element provides uniform infrared heating and durability for extended use
- Superior analytical weighing performance with readability up to 0.001g, 0.01% moisture*
- Powerful software for simple operation
- Compact size, only 8.5 in. x 14.5 in., suitable for in-process testing and uses minimum space requirements in laboratory applications
- Large backlit 128 x 64 pixel LCD display for easy viewing
- GLP compliant format when printed results are required
- Standard RS232 port for easy communication with printer or computer
- Multi-language display text (English, Spanish, French)
- Industry leading 5-year warranty

* MB45 model



MB Series Moisture Analyzers

Ohaus, the leader in value priced reliable compact moisture analyzers.

Designed to quickly, effectively and affordably measure moisture, the Ohaus MB Series Moisture Analyzers incorporate state-of-the-art halogen heating with precision weighing technology to give you an accurate method for moisture content determination.

Perfect for applications in the pharmaceutical, chemical and food and beverage, quality control, environmental and many other industries. The MB Series Moisture Analyzers feature excellent repeatability properties for consistent accuracy during testing. The MB Series is manufactured to ISO 9001 quality assurance specifications, for traditional Ohaus quality.

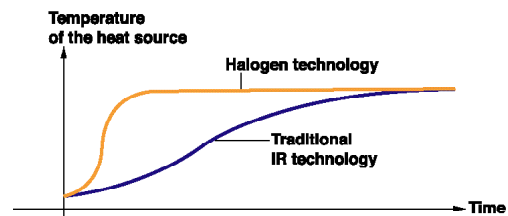


Heating at Light Speed

Infrared halogen heating technology begins the sample drying process in seconds. The uniquely designed gold reflective interior test area creates uniform distribution of heat to increase performance while decreasing test time.



- **Precision Heating** - temperature settings are incrementally controlled by the software for test accuracy
- **Lighting Startup** - test area reaches full temperature in less than 1 minute
- **Rapid Results** - infrared halogen heating performs up to 40% faster than traditional infrared methods
- **Easy Temperature Calibration** with optional kit

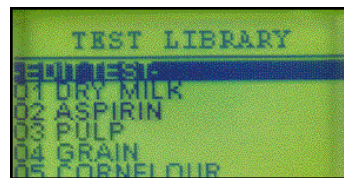


Ohaus MB45. The Advanced Moisture Analyzer

For Maximum Value, the MB45 is the standard in high performance moisture content determination. The MB45 features a sample capacity of 45g, with a readability of 0.001g and repeatability to 0.015% (using 10g sample). An integrated database stores up to 50 drying procedures for maximizing productivity, simply recall the test from memory and begin.



Display shows % moisture, % solids, weight, time, temperature, drying curve and more.



Test Library to Store, Edit and Run Tests

- Four selectable automatic drying programs allow for easy one step drying, simply set the temperature and time, and begin
- Four enhanced heating options
- Statistical function for simple tracking and recording of standard deviation over time. The MB45 does all the calculations and provides the end result. Great for Quality Control and Assurance applications
- Operating temperature range from 50° to 200° C in 1° increments

- **Powerful** - program and recall up to 50 drying procedures.
- **Easy** - once programmed, simply select and run test.
- **Flexible** - allows simple test editing to find best results.

Optimum Performance

Unique Auto Shut-Off Options

- Choice of three preprogrammed end points for automatic test completion.
- Custom design your own test end point criteria.
- Timed tests with audible signal when finished.

Enhanced Heating Options

- Fast - for quickest possible time to temperature.
- Standard - for minimal overshoot while achieving temperatures quickly.
- Ramp - for controlled ramping to temperatures.
- Step - set three temperatures for difficult samples.

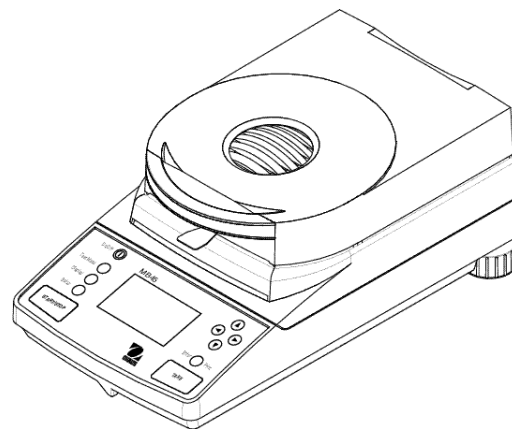
Ohaus MB35. The Basic Moisture Analyze

The MB35 is the basic model for moisture determination, leading the industry in performance/value. The MB35 features a maximum sample capacity of 35g, with a readability of 0.005g and repeatability to 0.05% (10g sample). The intuitive software establishes a simple user interface with simple 3 key navigation for easy setup. The MB35 offers a straightforward one step testing procedure, just enter time and temperature and begin. The LCD display shows % moisture, actual weight, actual temperature and test time. The MB35 operating temperature range is 50° to 160° C in 5° increments.



Ohaus MB Series

Moisture Analyzers



MB Series Specifications

Capacity (g)	45	35
Readability (g)	0.01% / 0.001g	0.05% / 0.005g
Repeatability (Std Dev) (g)	0.05% (3g sample) 0.015% (10g sample)	0.18% (3g sample) 0.05% (10g sample)
Moisture range	0.01% to 100% (0.01% to 1000% for regain mode)	0.05% to 100%
Output	Bidirectional RS-232	
Timer	1-120 minutes in 10-second increments	1-120 minutes 30-second increments to 60 min. 1 minute increments from 60 - 120 min.
Heater type	Halogen	
Temp range	50° to 200°C in 1°C increments	50° to 160°C (5°C increments)
Power	120 VAC 50/60 Hz	
Tare range	To capacity by subtraction	
Operating temperature range	50° to 104°F / 10° to 40°C	
Display type	128 x 64 pixel graphical backlit LCD display	
Displays	% moisture, % solids, time, temperature, weight, test ID, and drying curve	% moisture, time, temperature, weight
Pan size (in/mm)	3.5 / 90	
Dimensions (WxHxD) (in/cm)	7.5 x 6 x 14 / 19 x 15.2 x 36	
Net wt. (lb/kg)	10.1 / 4.6	
Shipping wt. (lb/kg)	14.1 / 6.4	
Item Number	MB45	MB35

Models are CE, UL listed, CSA approved and FCC approved

Optional Accessories

Description	Item Number
Temperature calibration kit	11113857
Pads, glass fiber, qty 200	80850087
Sample pans, qty 50	80850086
Reusable sample pans, qty 3	80850088
Cover, in-use MB35 and MB45	80850085
Cable, 9 pin serial extension	80500525
Cable, printer MB35 and MB45	80500571
Cable, security	470004-01
20g, ASTM class 1 calibration weight	49024-11
Impact printer, 42 column	SF24
TAL Software, WinWedge v1.2	SW12W
Sample pan handler, MB35	11113873

Industry Leading Warranty

All Ohaus MB Series moisture analyzers are protected by a 5 year warranty on labor and parts. Our rugged construction and stringent quality control have been hallmarks of Ohaus scales and balances since 1907.

Solid Service Support

Should service or repair ever be required, we will perform the necessary work promptly at reasonable rates. In the U.S., use our service hotline 1-800-526-0659.

Simple to Order

If you would like an Ohaus Customer Service Representative to assist you in selecting the right product, simply call 1-800-672-7722 (in the U.S. and Canada), then place your order with the dealer of your choice.

Ohaus Corporation

19A Chapin Road
P.O. Box 2033
Pine Brook, NJ 07058 USA

Tel: 800.672.7722
973.377.9000

Fax: 973.593.0359

www.ohaus.com

With offices throughout Europe,
Asia, and Latin America

* ISO 9001

Registered Quality Management System

5 Year Warranty (U.S. and Canada only)

LUS02-03 © Copyright Ohaus Corporation

