

SURVIVOR[®]

ATV SERIES

ALL-TERRAIN PORTABLE VEHICLE SCALE



**Toughest
Truck Scales
On Earth.**

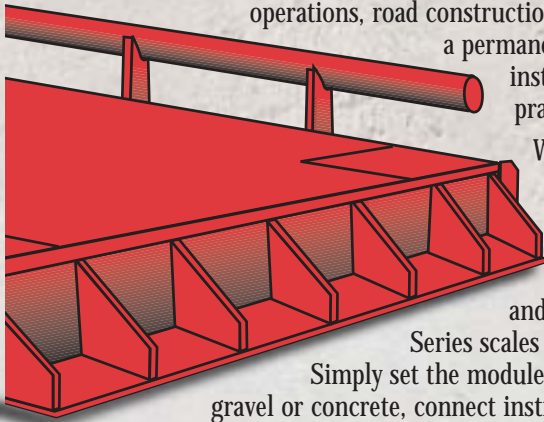
RICE LAKE WEIGHING SYSTEMS

Industrial Solutions on a Global Scale[®]

Put your investment to work **FAST!**

For the ultimate in fully-electronic weighing anywhere you need it, Rice Lake Weighing Systems offers SURVIVOR® ATV Series portable scales.

Built from the ground up for years of trouble-free performance, the ATV and ATV-SR are designed for heavy-duty weighing in quarries, asphalt plants, timber operations, road construction, or anywhere a permanent scale installation isn't practical.



With factory-wired self-contained modules, installing and relocating ATV Series scales is fast and easy.

Simply set the modules on compacted gravel or concrete, connect instrumentation, calibrate the system, and you're in business!

Underneath the rugged exterior lies the high-performance engine of the ATV Series—our patented G-Force™ mounting system. This exclusive design controls even the most violent loading forces and eliminates unnecessary movement during weighing operations—dramatically reducing stress and wear on mount assemblies and all moving parts.

Real-world advantages for real-world weighing. The SURVIVOR® ATV Series is built to take it... anywhere.



1. Unload and set self-contained modules.



2. Backfill to bulkheads and finish ramps.



3. Wire instruments, calibrate and weigh!



ATV Portable Specifications / Dimensions:

Dimensions	Full Scale Capacity	Model Number	Modules	Load Cells	CLC Rating
10 ft x 10-11-12 ft	60 tons	EZ10(10,11,12)-ST-60-OTR	1	4	30 tons
20 ft x 10-11-12 ft	60 tons	EZ20(10,11,12)-ST-60-OTR	1	4	30 tons
24 ft x 10-11-12 ft	60 tons	EZ24(10,11,12)-ST-60-OTR	1	4	30 tons
40 ft x 10-11-12 ft	60 tons	EZ40(10,11,12)-ST-60-OTR	2	8	30 tons
47 ft x 10-11-12 ft	60 tons	EZ47(10,11,12)-ST-60-OTR	2	8	30 tons
60 ft x 10-11-12 ft	100 tons	EZ60(10,11,12)-ST-100-OTR	3	8	30 tons
70 ft x 10-11-12 ft	100 tons	EZ70(10,11,12)-ST-100-OTR	3	8	30 tons

ATV-SR Portable Specifications / Dimensions:

Dimensions	Full Scale Capacity	Model Number	Modules	Load Cells	CLC Rating
30 ft x 10-11-12 ft	60 tons	SRST30(10,11,12)-ST-60	1	4	45 tons
35 ft x 10-11-12 ft	60 tons	SRST35(10,11,12)-ST-60	1	4	45 tons
60 ft x 10-11-12 ft	100 tons	SRST60(10,11,12)-ST-100	2	8	45 tons
70 ft x 10-11-12 ft	100 tons	SRST70(10,11,12)-ST-100	2	8	45 tons

ATV Series. Built to take it, anywhere.

SURVIVOR® Series scales combine industry-leading electronic features with the rugged dependability of mechanical scales. In a market crowded with scales manufactured to compete on price alone, **SURVIVOR** scales are built from the ground up for lasting performance under the toughest conditions. When you choose **SURVIVOR**, you'll always get the best vehicle scale value on earth. **Guaranteed.**

SURVIVOR®

ATV

**Heavy-Duty
Top Access Portable**
(Module lengths 10-24 ft)

Performance...

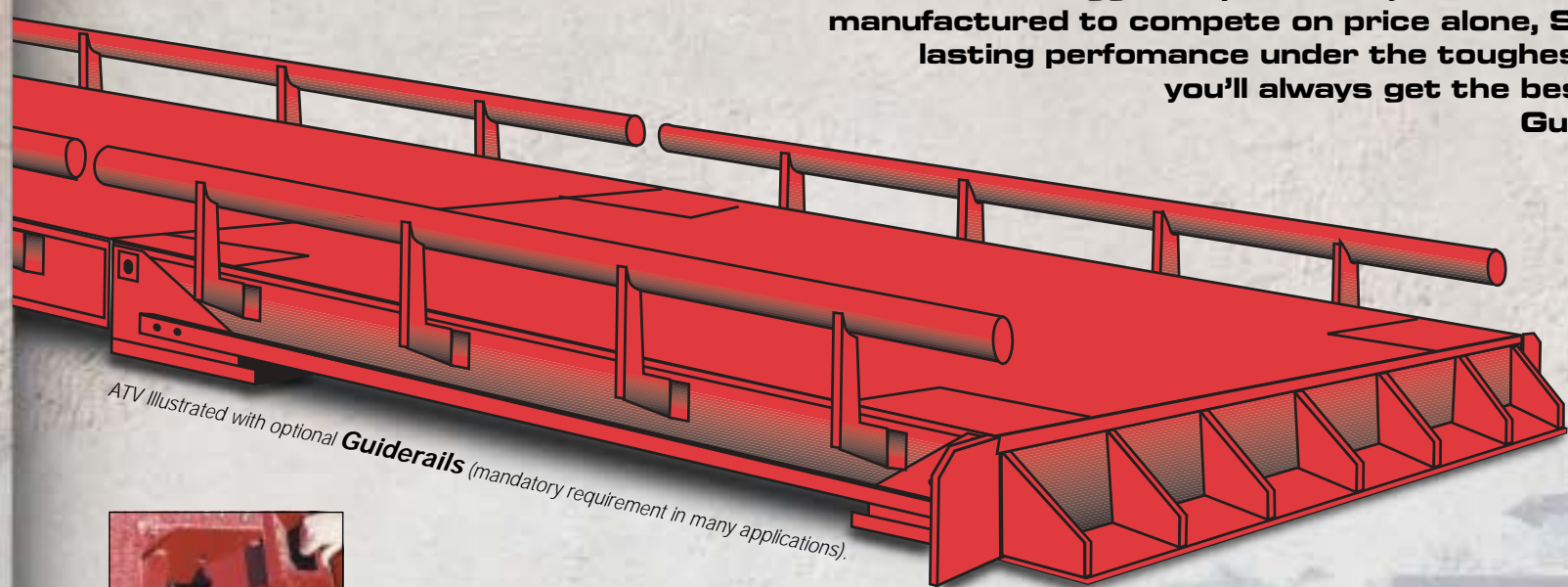
- Low deflection factor — less than 1:600 under extreme loading
- 200,000 lb gross weight capacity
- 60,000 lb Concentrated Load Capacity (CLC)
- 60,000 lb Dual Tandem Axle rating (DTA)
- "r" factor (1.76)
- 75,000-lb capacity load cells
- Faster, more accurate weighments and less wear with **PATENTED G-FORCE™** mounting system

Versatility...

- Top access to load cells and junction boxes for easy installation and maintenance
- NTEP certified standard widths to 12 feet for faster processing of trucks and added safety for drivers
- Preassembled deck modules for easy installation, expansion and relocation
- Load cell protection system for worry-free transport

and Value.

- More steel and higher quality construction than competitive models
- Five-year weighbridge guarantee*



ATV illustrated with optional **Guiderails** (mandatory requirement in many applications).

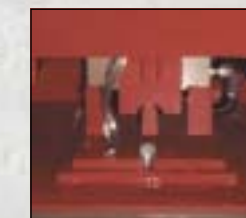


Top access to all electronic components
Load cells and electronic components are conveniently accessible through the scale deck, allowing for easy maintenance, even where space is limited.

SURVIVOR® ATV

The **SURVIVOR** ATV features an extremely low 20" profile and easy set-up/expandability for road construction, timber operations and growing businesses where portability is a necessity.

- Modules from 10-24 ft. long
- Unique self-seating hinge connectors offer easy installation
- Rigid construction for heavy-duty weighing, yet compact and lightweight for convenient portability



Side access mounting bays
The siderail design of the **ATV-SR** features side access to load cells and electronics for easy maintenance while protecting modules from outside elements.

SURVIVOR® ATV-SR

The **ATV-SR** is the ultimate super-duty contractor's scale, ideal for weighing tri- and quad-axle dump trucks in pits and quarries.

- Modules from 10-42 ft. long
- Utilize modules independently or joined for a longer scale
- Rigid deck and siderail construction
- Low 24 inch deck profile



Easily expands to grow with your business

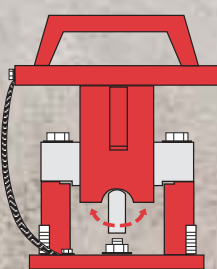
Versatile and cost-effective, the **ATV** was designed to change with your business. Self-contained live modules and floating center modules make it easy to add or remove sections to fit application requirements.



Optional lightning protection tailored to your needs
To ensure worry-free operation, a variety of transient protection packages are available for areas where damaging thunderstorms frequently occur.

G-Force™ Patented self-checking mounting system

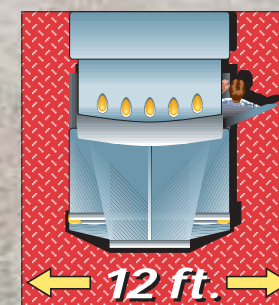
Ultimate performance, no checking hardware.



Exclusive design sets an entirely new standard for performance, efficiency and durability. G-Force eliminates excess movement by using 100% of the gravity force from the loading action against itself—instantaneously returning the scale to dead center without check rods or bumper bolts. The result? Faster processing, consistent accuracy and less maintenance.

NTEP certified to 12-foot standard deck
All **ATV** Series models up to 12 feet wide are NTEP certified Legal-for-Trade.

ATV: CC# 98-041A1.
ATV-SR: CC# 98-011A1.



Choice of standard bulkheads

- ▲ Gusset bulkheads are heavily braced for high-compression backfilling with gravel or aggregate
- ▼ Flat bulkheads are designed for use with optional steel ramps or concrete approaches



Built Tough, Start to Finish...

- 1 Hot phosphate cleaning process to ensure maximum adhesion of coating applications.
- 2 High-performance epoxy primer.
- 3 Specialized hard-coat alkyd enamel finish.
- 4 Asphalt undercoating applied to interior and underside of scale.

SURVIVOR®

ATV-SR

**Super-Duty
Siderail Portable**
(Module lengths 10-42 ft)

Performance...

- Low deflection factor — less than 1:900 under extreme loading
- 200,000 lb gross weight capacity
- 90,000 lb Concentrated Load Capacity (CLC)
- 90,000 lb Dual Tandem Axle rating (DTA)
- "r" factor (2.65)
- 75,000-lb capacity load cells
- Faster, more accurate weighments and less wear with **PATENTED G-FORCE™** mounting system

Versatility...

- NTEP certified standard widths to 12 feet for faster processing of trucks and added safety for drivers
- Preassembled deck modules for easy installation, expansion and relocation
- Load cell protection system for worry-free transport

and Value.

- More steel and higher quality construction than competitive models
- Five-year weighbridge guarantee*

Complete your scale with the highest quality accessories

The toughest scales on earth deserve the best...your Rice Lake Weighing Systems distributor can help you specify the system that's right for you.

- 1 Digital Weight Indicators**
We offer a complete line of weight indicators, including models that can store up to 300 truck ID numbers and truck tares. They're available in NEMA 4 steel and stainless steel enclosures.
- 2 Report and Ticket Printers**
Our high-speed, high-quality printers include performance features like 180 character-per-second printing and double-strike power to handle up to five-part multi-copy forms.
- 3 TransAct /TransAct Plus 3.0 Data Management Software**
TransAct is easy to use and network capable with full reporting, accounting, and invoicing features that connect your scale to your office computer and accounting system.
- 4 Automated Truck Scale Controllers**
Equipped with a powerful processor and a high-quality indicator, ATS controllers are designed to automate inbound/outbound scale terminals and unattended gross vehicle weight ticket printing. They feature a waterproof NEMA 4 enclosure and cast aluminum keypad for protection from the elements and vandalism.
- 5 Traffic Signals**
Rice Lake traffic signals have been tested to over 80 MPH wind loading on a single-point attachment. Corrosion-resistant aluminum alloy coatings and stainless steel hardware make the unit virtually impervious to weathering.
- 6 SURVIVOR® Remote Displays**
SURVIVOR IQ F-Series flip-digit and L-Series LCD alphanumeric remote displays provide fast, accurate weight readings at a glance. Standard NEMA 4 enclosures provide long-lasting performance in severe conditions.
- 7 Guiderrails (Recommended option)**
Heavy-duty rail system offers a strong, attractive barrier against accidental drive-offs. Offset tube design allows full use of weighing surface and minimizes damage to truck wheels when contact occurs.



Inquire about our full line of vehicle scales tailored to your specific application needs.



SURVIVOR® SR
Super-duty, low profile concrete or steel deck siderail scales



SURVIVOR® EZ
Low profile concrete or steel deck scales



SURVIVOR® OTR
Top access low profile concrete or steel deck scales



SURVIVOR® SR-PT
Pit-type concrete or steel deck scales

CUSTOM DESIGNS AVAILABLE

We manufacture a wide selection of scales in sizes and capacities we've found to be most popular. But because we understand that standard designs may not always meet your needs, we specialize in custom solutions including unique dimensions/profiles, existing pit/foundation matching, extreme capacities, dump through modules and more. To discuss your requirements, call 800-472-6703 and ask to speak to a member of our Heavy Capacity Business Unit.

Visit us at www.rlws.com for complete specifications and to see the entire Rice Lake Weighing Systems' vehicle scale line, or call us at **800-472-6703** for an authorized distributor and specification assistance.

Your Rice Lake Weighing Systems Distributor is:



230 W. Coleman St. • Rice Lake, WI 54868 • USA
TEL: 715-234-9171 • FAX: 715-234-6967 • WEB SITE: www.rlws.com

© Rice Lake Weighing Systems 2001 PN 67506 8/01
Specifications subject to change without notice