

RoughDeck™

F l o o r S c a l e s



RoughDeck™

RoughDeck™

RICE LAKE WEIGHING SYSTEMS

Industrial Solutions on a Global Scale®

FROM BASIC TO BRUTE,

ROUGHDECK FLOOR SCALES OUTCLASS EVERYTHING IN THEIR CLASS.



RoughDeck™ Features/Options	HP	SS	HE	QC	SD
Approvals:					
NTEP-certified, Class III 5000 divisions	Std	Std	Std	Std	Std
Measurement Canada Approved	Std	Std	N/A	N/A	N/A
Load Cells:					
Factory Mutual-approved, welded seal	Std	Opt	Std	Std	Std
Stainless steel	Opt	Std	Std	Std	Std
Stainless steel, welded seal	Opt	Opt	Std	Std	Std
Construction:					
Mild steel	Std	N/A	N/A	N/A	N/A
304 stainless steel	N/A	Std	Std	Std	Std
Deck:					
Mild steel diamond treadplate	Std	N/A	N/A	N/A	N/A
Smooth stainless steel	N/A	Std	Std	Std	N/A
Stainless steel diamond treadplate	N/A	Consult Factory	Consult Factory	Consult Factory	N/A
FDA approved polyethylene top material	N/A	N/A	N/A	N/A	Std
Junction Box:					
Integral, side-entry	Std	Std	N/A	N/A	N/A
Integral, side-entry EL604STA stainless steel NEMA 4X	Opt	Std	N/A	N/A	N/A
Remote EL604STA stainless steel NEMA 4X	Opt	Opt	Std	Std	Std
Miscellaneous:					
4 adjustable stainless steel SUREFOOT™ support feet	Std	Std	Std	Std	Std
20' EL147HE Hostile Environment Load Cell Cable	Std with or without Quick-Connect	Std	Std	Std	Std
Threaded eyebolt holes	Std	Std	Std	Std	N/A
Custom sizes	Opt	Opt	Opt	Opt	Opt
4 drilled deck holes	Opt	Opt	Opt	N/A	N/A
Epoxy paint	Opt	N/A	N/A	N/A	N/A
Safety bar	N/A	N/A	N/A	Std	N/A

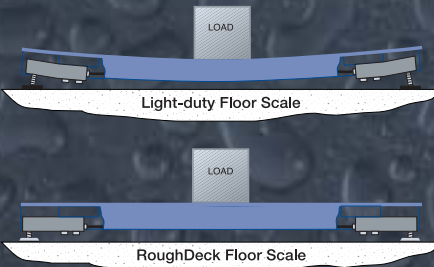
RoughDeck™ FXB Features/Options	
NTEP-certified, Class III 5000 divisions	Standard
FM-approved load cells	Standard
Rugged, all-steel construction	Standard
Unique spring steel flexure design	Standard
One nickel-plated tool steel S-beam load cell	Standard
Custom sizes	Optional
304 Stainless steel construction	Optional

RoughDeck™ BPS Features/Options	
Easy-access integral live ramps	Standard
1,000 lb capacity	Standard
FM-approved load cells	Optional
Stainless steel model with stainless steel NEMA 4X junction box, load cells and SUREFOOT™ support feet	Available
Stainless steel HE model with welded seal load cells for harsh washdown environments	Available
Portable model with wheel assemblies and integral indicator stand; mild or stainless steel construction	Available

DeckHand™ Features/Options	
Mild steel or stainless wheeled frame, base, and indicator stand	Standard
Indicator mount with integral handles	Standard
NTEP-certified, Class III 2500 divisions	Standard
Clam shell for added load cell protection in washdown areas; stainless steel	Optional
Ramp Assembly	Optional

WHY ROUGHDECK IS SIMPLY THE TOUGHEST, MOST ACCURATE FLOOR SCALE AVAILABLE...

Before introducing our RoughDeck series, design engineers conducted a comprehensive floor scale testing program. They determined that two design factors—minimizing deck deflection and isolating load cells from extraneous forces—were key to low-profile scale accuracy and long life.

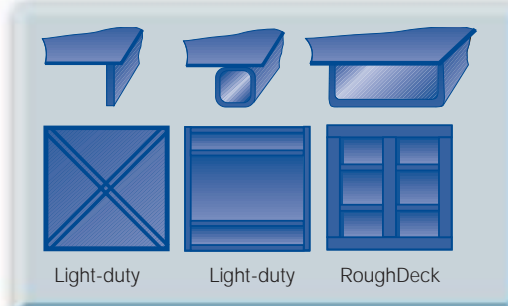


The exaggerated figure above illustrates the problems of deck and load cell deflection. The RoughDeck design minimizes deflection of the deck and feet.

As a result, the RoughDeck design concept provides outstanding strength and component protection. Offered in five low-profile and three special-duty versions, the RoughDeck series offers component interchangeability and different construction materials to meet specific industrial requirements, from basic shipping and receiving to highly corrosive or washdown environments.

► Superior Structural Design

The RoughDeck utilizes a full 6" structural channel frame welded to a durable steel deck, providing exceptional rigidity under severe loading conditions (typical of fork lifts and pallet jacks). This design has proven so superior that the RoughDeck



carries a full five-year warranty on the deck structure. The cross sections shown compare the deck structure of the RoughDeck with other low-profile floor scales. The placement of underdeck supports on the RoughDeck

minimizes deflection in all directions. Intermediate supports are added to prevent the top plate from "dishing" under heavy point loads. These design features are lacking in many other low-profile scales.

► Load Cell Mounting Plate and SUREFOOT™

In order to minimize localized deflection of the load cell, the mounting plate is attached to the channel frame rather than the deck plate.

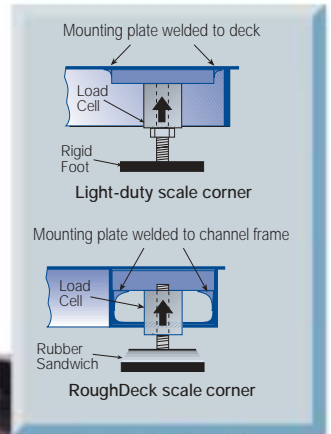
Adjustable SUREFOOT™ support feet incorporate a neoprene and steel sandwich design. This unique combination decreases extraneous forces on the load cell, providing superior accuracy and repeatability.

► Load Cell and Cable Protection

Load cells and cable are recessed within the 6" channels, providing protection on all sides.

► Easy Junction Box Accessibility

On low-profile models, the load cell summing card is fully enclosed in a junction box fastened directly to a steel mounting plate. This unique slide-out design provides quick access on mild steel decks and superior protection from moisture and dirt.



FROM BASIC TO BRUTE... A ROUGHDECK FOR EVERY APPLICATION.



HP

High Accuracy, Legal-for-Trade

RoughDeck™ HP is NTEP-certified "legal-for-trade" for use in high-accuracy weighing. Certified for 5000 divisions, Class III use, RoughDeck HP features complete mild steel construction, a diamond treadplate safety deck, NTEP-certified alloy steel welded seal load cells, and a complete junction box assembly with or without quick-connect.

The HP is perfect for applications in demanding industrial environments where high accuracy is required.



MEASUREMENT CANADA
Legal-for-Trade
AM-4827
HC Series



SS

Stainless Steel, Corrosion Resistant

Also NTEP-certified for 5000 divisions, Class III use, the RoughDeck™ SS is built for dry corrosive, dry chemical and all other industries that require additional corrosion protection.

We utilize a rigid 6" 304 stainless steel channel frame and smooth top plate for the SS version. For added corrosion resistance, stainless steel load cells and hardware, a stainless steel summing junction box and our EL147HE Hostile Environment load cell cable complete the RoughDeck SS package.



MEASUREMENT CANADA
Legal-for-Trade
AM-4827
HC Series



HE

Stainless Steel, Washdown Design

RoughDeck™ HE is our hostile environment stainless steel floor scale designed specifically for corrosion resistance and long life in demanding washdown and wet corrosive applications.

The HE utilizes a 304 stainless steel weighbridge, welded seal stainless steel load cells, stainless steel hardware, a stainless steel NEMA 4X summing junction box and EL147HE Hostile Environment load cell cable. The NEMA 4X junction box can be remotely mounted up to 10' from the scale, keeping sensitive electronic connections away from moisture and chemicals.



QC

Quick Clean Stainless Steel Floor Scale

Ideal for food processing and other applications requiring frequent washdown, the RoughDeck™ QC provides easy underdeck cleaning by using two gas shock lifting cylinders to raise the top of the scale. In fact, it's as easy to lift as a hatchback on a car. Once the deck is raised, a manual safety bar can be positioned and the underdeck area can be thoroughly washed out.



The rugged design incorporates 304 stainless steel construction, four stainless steel welded seal shear beam load cells with Teflon® cable, and a remote stainless steel NEMA 4X junction box.



SD

Sanitary Deck Floor Scale

An easy-to-lift polyethylene top plate on the RoughDeck™ SD provides an efficient mechanism for busy cleanup personnel. Ideal for food processing and other applications requiring frequent washdown, the RoughDeck SD provides easy underdeck cleaning by lifting the plastic top to gain access to the stainless steel understructure.



The RoughDeck SD features a rugged design, including 304 stainless steel construction, four stainless steel welded seal shear beam load cells, and a remote stainless steel NEMA 4X junction box.



FXB

Severe Duty, Flexure Lever Scale

With a unique flexure lever design, the RoughDeck™ FXB is suitable for abusive conditions such as shock-loading, end-loading, corner-loading, or extreme motion, and does it with NTEP Class III, 5000 division accuracy. With no moving parts in the base, the FXB uses thin high-strength flexures. These spring steel flexures combine with heavy-duty levers to transfer load forces to a single S-beam load cell recessed into the frame for protection. The FXB design provides ease in calibration and no corner adjustment, minimizing installation time.

Custom sizes to 30,000 lb and stainless steel models are available.



BPS

The versatile RoughDeck™ BPS barrel scale doubles as a pallet scale with its 3.5" high live rails. Pallets and wider items up to 1,000 lb can be loaded on the live rails with a forklift.



Installation options add versatility...

- Indicator Floor Stand
 - Anchor Plates
 - Access Ramps
 - Pit Frame: Forms a shallow pit with convenient junction box access. Acts as a form for pouring concrete.
- All installation options are available in mild or stainless steel.



CC# 98-004
N_{max} = 2500
Class III

SS, HE, QC and SD Models Feature A Stainless Steel Junction Box



SS model shipped with internal J-box slide-out assembly.



HE, QC and SD models feature remote J-box with cable.

Pit frame for all models except QC.



Pit frame for QC model only.



Scales featuring this symbol are comprised of an intrinsically safe load cell configuration that is FM Approved for use in hazardous locations per Rice Lake Weighing Systems' control drawing file number 33949.

Teflon is a registered trademark of E.I. DuPont.

SPECIFICATIONS & DIMENSIONS

RoughDeck HP, HP-H, SS, HE, QC, SD

	RoughDeck HP	RoughDeck HP-H	RoughDeck SS	RoughDeck QC & SD
End Load Capacity 100% full scale	Size Capacity 2.5' x 2.5' 2000 lb	Size Capacity 4' x 4' 20,000 lb	Size Capacity 2.5' x 2.5' 2000 lb	Size Capacity 2.5' x 2.5' 2000 lb
mV/V Output 1.50 – 1.87 mV/V nominal	3' x 3' 1000 lb	4' x 4' 30,000 lb	3' x 3' 1000 lb	3' x 3' 2000 lb
Cable Length 20 ft (6.1m)	3' x 3' 2000 lb	4' x 5' 20,000 lb	3' x 3' 2000 lb	4' x 4' 2000 lb
Height HP, SS, HE: 3.5 in (88.9mm)	4' x 4' 1000 lb	4' x 5' 30,000 lb	4' x 4' 1000 lb	4' x 4' 10,000 lb
HP-H: 4-5 in (101.6-127mm)	4' x 4' 2000 lb	4' x 6' 20,000 lb	4' x 4' 5000 lb	4' x 5' 2000 lb
QC: 3.5-5.5 in (88.9-139.7mm)	4' x 4' 5000 lb	4' x 6' 30,000 lb	4' x 4' 10,000 lb	4' x 5' 5000 lb
Warranty 5-year limited warranty	4' x 4' 10,000 lb	4' x 7' 20,000 lb	4' x 5' 5000 lb	4' x 5' 10,000 lb
	4' x 5' 5000 lb	4' x 7' 30,000 lb	4' x 5' 10,000 lb	4' x 6' 2000 lb
	4' x 5' 10,000 lb	5' x 5' 20,000 lb	5' x 5' 5000 lb	4' x 6' 5000 lb
	5' x 6' 5000 lb	5' x 5' 30,000 lb	5' x 5' 10,000 lb	4' x 6' 10,000 lb
	5' x 6' 10,000 lb	5' x 7' 20,000 lb	5' x 5' 10,000 lb	5' x 5' 2000 lb
	5' x 7' 5000 lb	5' x 7' 30,000 lb	5' x 7' 10,000 lb	5' x 5' 5000 lb
	5' x 7' 10,000 lb	6' x 6' 20,000 lb		5' x 5' 10,000 lb
		6' x 6' 30,000 lb		5' x 7' 2000 lb
		6' x 8' 20,000 lb		5' x 7' 5000 lb
		7' x 9' 20,000 lb		5' x 7' 10,000 lb
		7' x 10' 20,000 lb		
		7' x 10' 30,000 lb		
		8' x 10' 20,000 lb		
		8' x 10' 30,000 lb		



HP Series:
CC# 92-001A5
n_{max} = 5000
Class III

Custom sizes available for HP, SS and HE models.

(Available in mild steel only)

RoughDeck HE

Size	Capacity
2.5' x 2.5'	2000 lb
3' x 3'	2000 lb
4' x 4'	5000 lb
4' x 4'	10,000 lb
4' x 5'	5000 lb
4' x 5'	10,000 lb
5' x 5'	5000 lb
5' x 5'	10,000 lb
5' x 7'	10,000 lb



HP Series:
CC# 92-001A5
n_{max} = 5000
Class III

RoughDeck FXB

	FXB Bases	Capacity	Size (W x L x H)	FXB Bases	Capacity	Size (W x L x H)
End Load Capacity 100% of scale capacity	FXB-1824-.5K	500 lb	18" x 24" x 6.62"	FXB-4872-5K	5000 lb	48" x 72" x 9.25"
Safe Overload Capacity 150% of scale capacity	FXB-1824-1K	1000 lb	18" x 24" x 6.62"	FXB-4872-10K	10,000 lb	48" x 72" x 9.25"
Rated Excitation 10 VDC - 15 VDC max	FXB-1830-1K	1000 lb	18" x 30" x 6.62"	FXB-4872-20K	20,000 lb	48" x 72" x 13.25"
Nonlinearity .03% FS	FXB-2424-.5K	500 lb	24" x 24" x 6.62"	FXB-6060-5K	5000 lb	60" x 60" x 8.25"
Hysteresis .02% FS	FXB-2424-1K	1000 lb	24" x 24" x 6.62"	FXB-6060-10K	10,000 lb	60" x 60" x 9.25"
Bridge Resistance 350 ohms	FXB-3030-.5K	500 lb	30" x 30" x 6.62"	FXB-6060-20K	20,000 lb	60" x 60" x 13.25"
mV/V Output 3.0 mV/V	FXB-3030-1K	1000 lb	30" x 30" x 6.62"	FXB-6072-10K	10,000 lb	60" x 72" x 10.25"
Cable Length 20 ft (6.1m)	FXB-3030-1.5K	1500 lb	30" x 30" x 6.62"	FXB-6084-10K	10,000 lb	60" x 84" x 13.25"
Warranty 2-year limited warranty	FXB-3030-2K	2000 lb	30" x 30" x 6.62"	FXB-6084-20K	20,000 lb	60" x 84" x 14.25"
	FXB-3636-1K	1000 lb	36" x 36" x 8.25"	FXB-7296-10K	10,000 lb	72" x 96" x 13.25"
	FXB-3636-2K	2000 lb	36" x 36" x 8.25"	FXB-7296-20K	20,000 lb	72" x 96" x 15.25"
	FXB-3636-5K	5000 lb	36" x 36" x 8.25"	FXB-84108-20K	20,000 lb	84" x 108" x 15.25"
	FXB-3846-1K	1000 lb	38" x 46" x 8.25"	FXB-96120-30K	30,000 lb	96" x 120" x 19.25"
	FXB-4848-2K	2000 lb	48" x 48" x 8.25"			
	FXB-4848-5K	5000 lb	48" x 48" x 8.25"			
	FXB-4848-10K	10,000 lb	48" x 48" x 9.25"			
	FXB-4848-20K	20,000 lb	48" x 48" x 13.25"			
	FXB-4860-5K	5000 lb	48" x 60" x 8.25"			
	FXB-4860-10K	10,000 lb	48" x 60" x 9.25"			

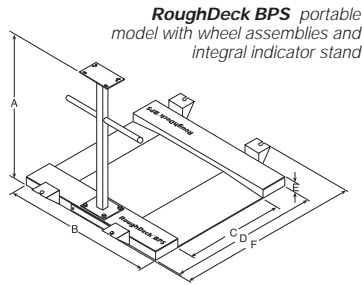


FXB:
CC# 95-062
n_{max} = 5000
Class III

† NTEP Certified, CC# 95-062, Class III 5000d

RoughDeck BPS

- Full Scale Capacity**
1000 lb (500 kg)
- End Load Capacity**
100% full scale
- Load Cell Capacity**
1000 lb (500 kg)
- Rated Excitation**
10VDC - 15VDC max
- Bridge Resistance**
4 350-ohm load cells
- mV/V Output**
0.75 mV/V
- Cable Length**
20 ft (6.1m)
- Shipping Weight**
Stationary: 180 lb (81.6 kg)
Portable: 215 lb (97.6 kg)
- Warranty**
1-year limited warranty

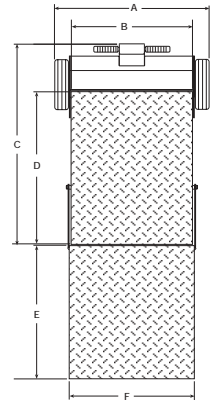


- A=39.5 in
- B=42.25 in
- C=30 in
- D=40 in
- E=3.5 in
- F=48 in
- Deck Height = 1.5 in



DeckHand

- Capacity**
500 lb, 1000 lb, 2000 lb
- End Load Capacity**
100% full scale
- mV/V Output**
2 mV/V
- Cable Length**
9' 10" (3 m)
- Height**
Weighing platter:
4.5 in (114.3mm) H
when in weigh mode
- Column Height**
59" (1499 mm)
- Warranty**
1-year limited warranty



DeckHand shown above with optional ramp (E & F)



CC#
98-004
n_{max} =
2500 Class III

Your Rice Lake Weighing Systems Distributor is:

RICE LAKE WEIGHING SYSTEMS

Industrial Solutions on a Global Scale®

230 West Coleman Street • Rice Lake, WI 54868 • USA
TEL: 715-234-9171 • FAX: 715-234-6967 • www.rlws.com

